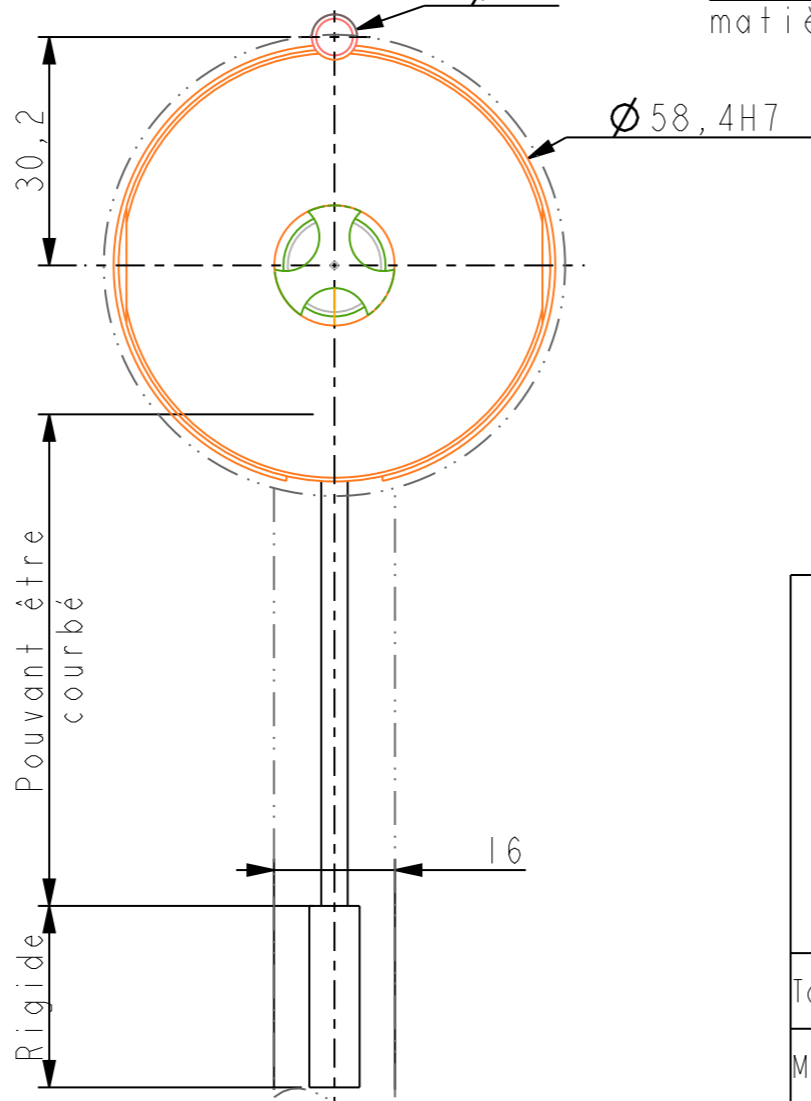


Ø D (à définir selon matière et volume)



Référence	Longueur 'L'	Dilatation (à 200°C)	Collier	Puissance (Watts)	T/C
SV620003	121.2mm	0.30mm	BF620000	610	MT020020
SV620007	146.6mm	0.38mm	BF620001	610	MT020022
SV620011	172mm	0.46mm	BF620002	690	MT020022
SV620015	197.4mm	0.54mm	BF620003	690	MT020023
SV620019	222.8mm	0.61mm	BF620004	950	MT020022
SV620023	248.2mm	0.69mm	BF620005	950	MT020024
SV620027	273.6mm	0.77mm	BF620006	950	MT020023
SV620031	299mm	0.84mm	BF620007	950	MT020024
SV620035	324.4mm	0.92mm	BF620008	950	MT020024
SV620039	349.8mm	1.00mm	BF620009	950	MT020025

*fastheat*

ZA du PONT de l'ANE  
42650 St JEAN BONNEFONDS  
TEL:04.77.49.36.46 FAX:04.77.33.46.00  
e-mail: fastheat@fastheat.fr

Ref.	Qté.	Designation / Catalog No.	
Nomenclature			
A3	Ech:1,000	Date:27-Jun-17	Dess. BC
Description		Buse SVI6 Type 3	
Tol.Générale:JS13 js13		Client FAST HEAT	
Matiere		No.Offre	
Verif.		No.Fab SVI6	